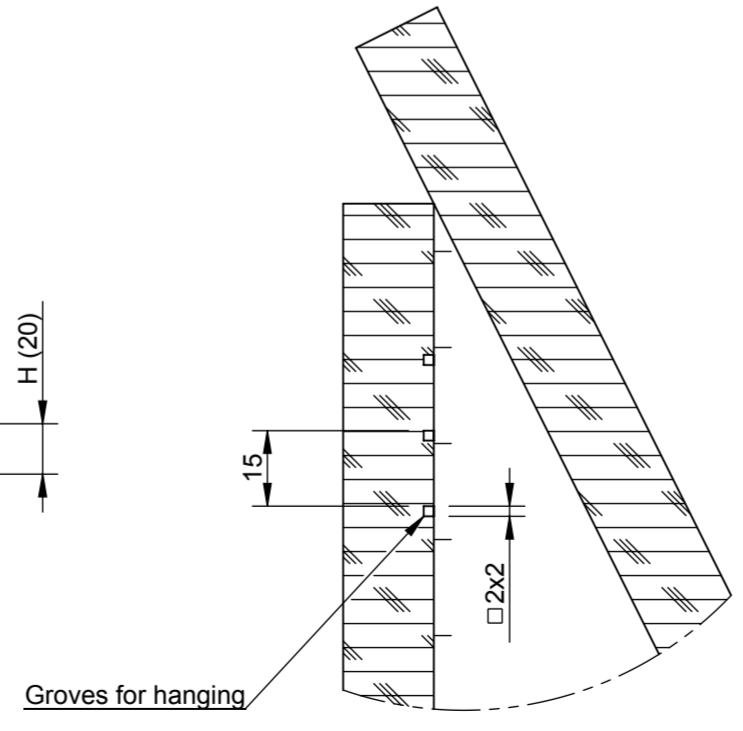
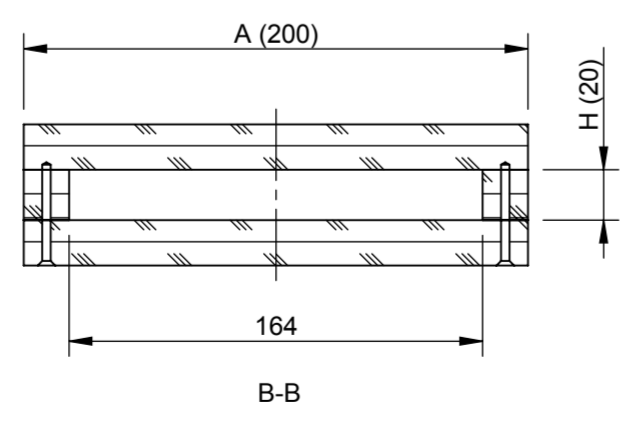
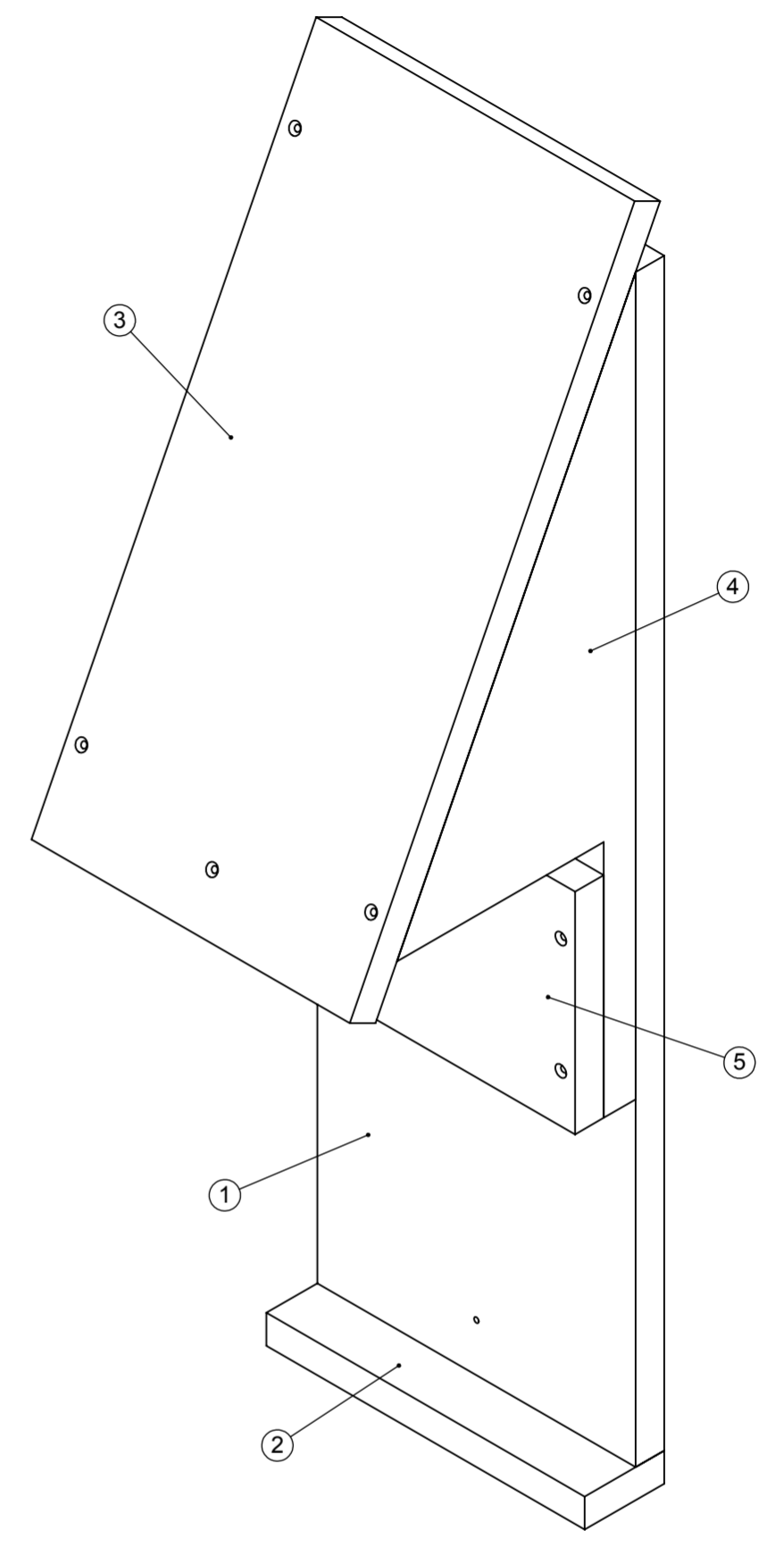
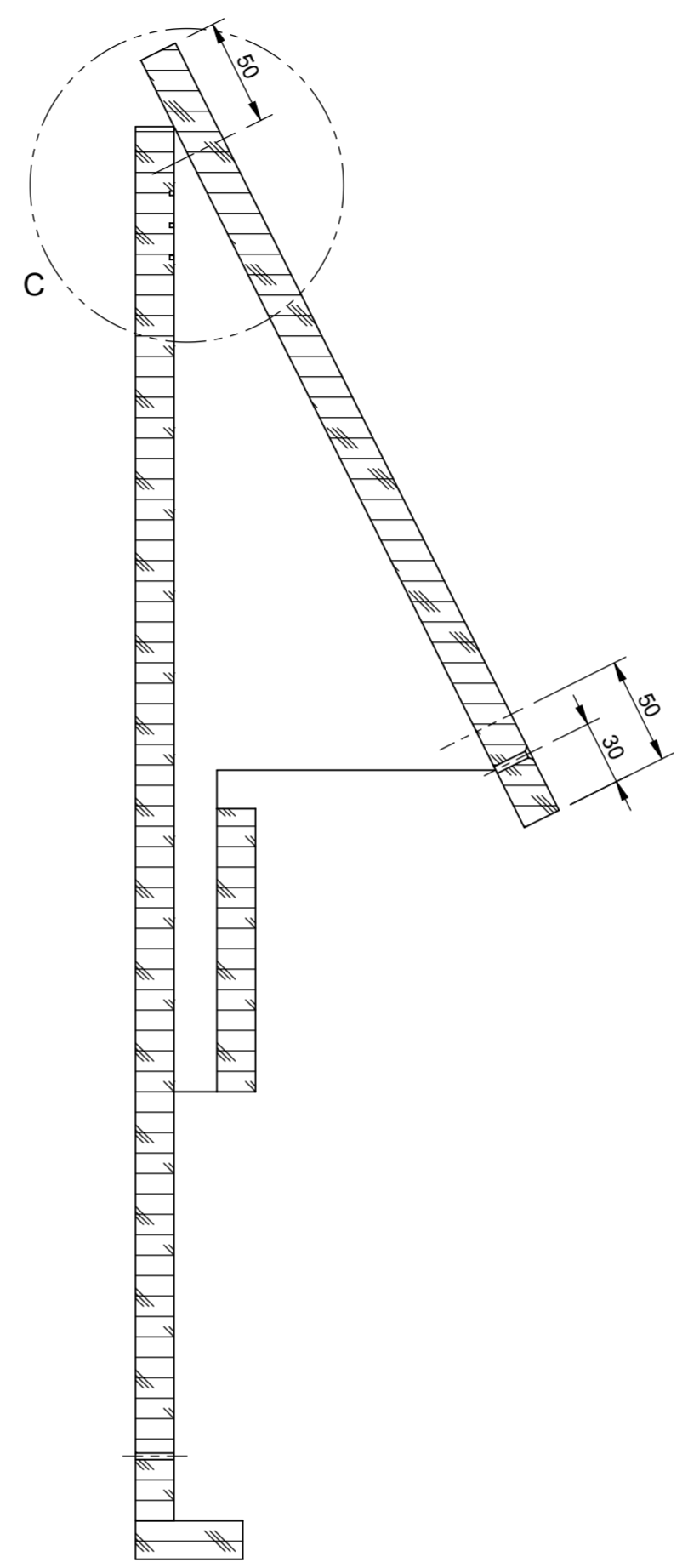
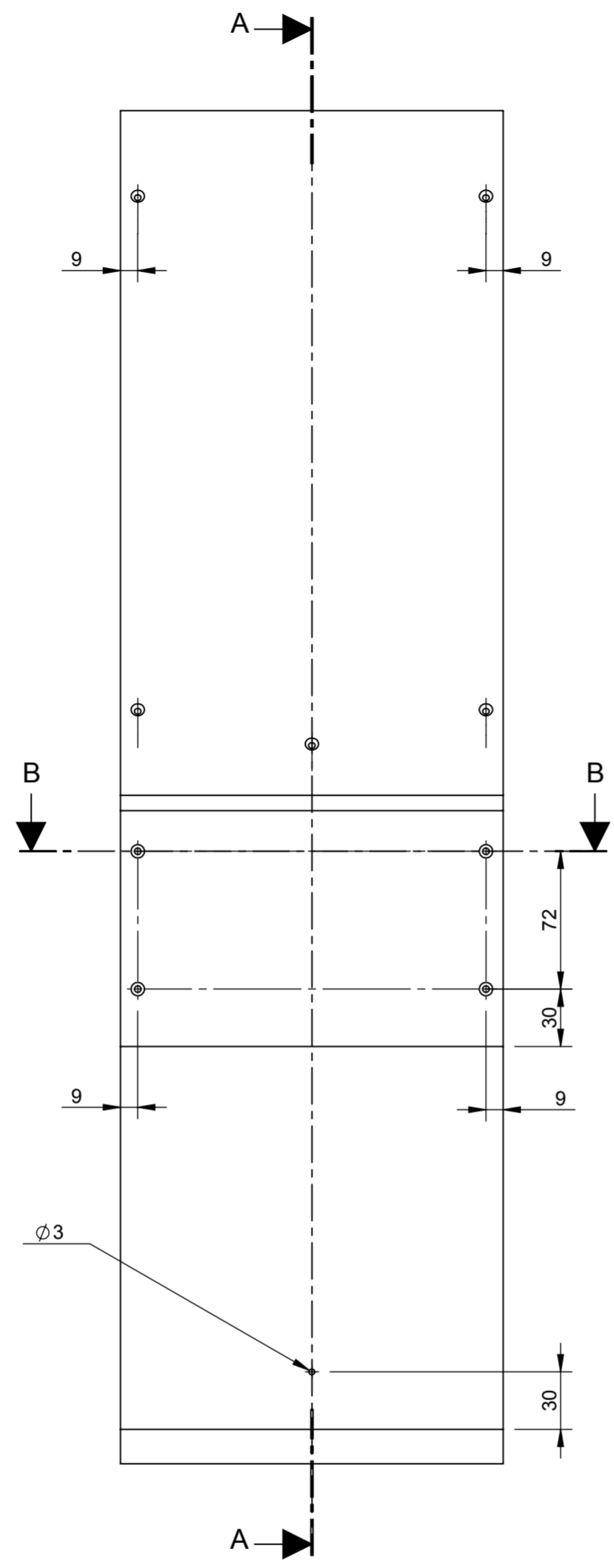
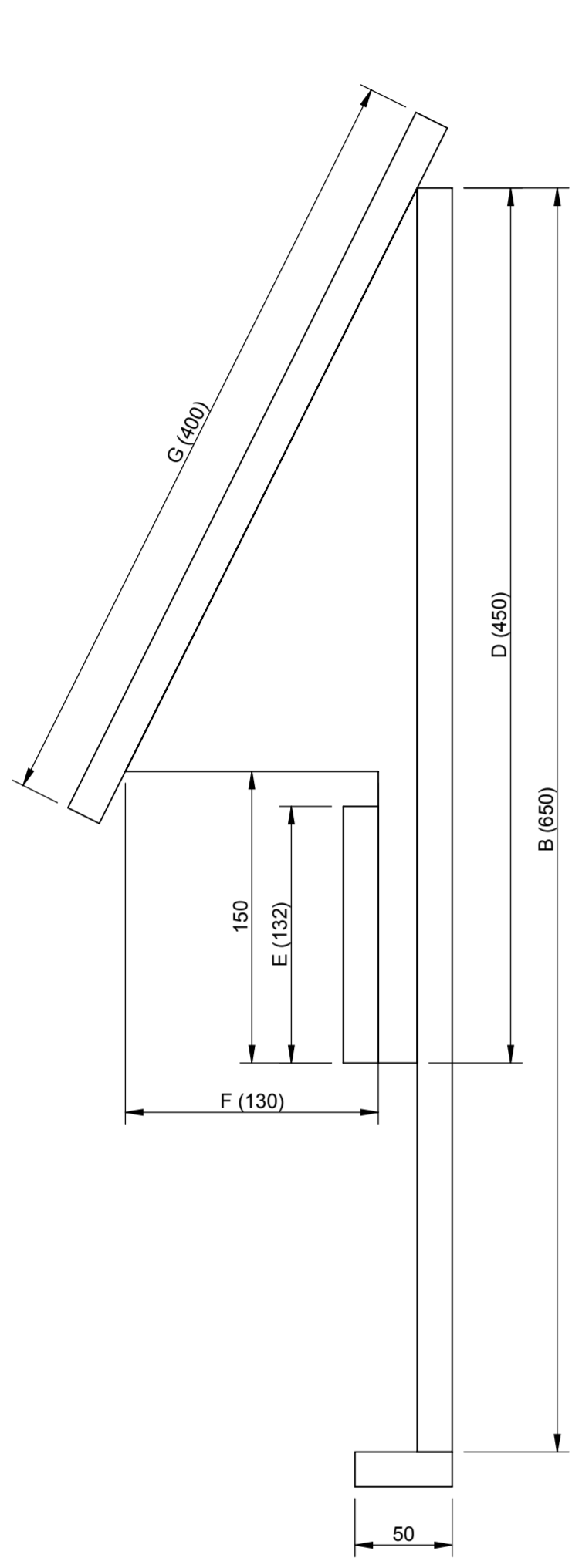


| REVISIONS | | | | |
|-----------|-------------|------|----|----------|
| Rev. | Description | Date | By | Approved |



A-A

C (2 : 3)

Screws: 13x DIN 7997 3,5x40 fzb.

| Item. | Qty. | Description | Length | Width | Thickness |
|-------|------|-------------|--------|--------|-----------|
| 5 | 1 | Entrance | - | - | 18 |
| 4 | 2 | Side | 450 | 130+20 | 18 |
| 3 | 1 | Roof | 400 | - | 18 |
| 2 | 1 | Floor | 50 | 2x82 | 18 |
| 1 | 1 | Back | 650 | 2x82 | 18 |

| | | | | | |
|---------------------------------------------------------------------------------------------------------------------------------------------------------|--|-------------------------------------|--|------------------------------------|--|
| File name: SovHolk1 | | File project name/no: ERROR!Project | | Project number: - | |
| Surface finishing: According to contract | | Tolerances: According to contract | | Approved / Date: | |
| Welding: According to contract | | Material: Pine | | Design by: MSe | |
| | | Status: - | | Weight (Kg): 1.8 | |
| | | Created date: 2009-04-28 | | Siste lagring: 2009-04-29 09:25:37 | |
| | | Format: A2 | | Projection: E | |
| | | Scale: 1:3 | | Drawing number: SovHolk1 assy | |
| This drawing is the property of Martin Schulte and protected by law. This document must not be copied or disclosed to third parties without permission. | | | | | |